



## Model Number

**NBN25-30GM50-US-V12**

## Features

- Basic series
- 25 mm non-flush
- 2-wire AC/DC

## Accessories

**BF 30**  
Mounting flange, 30 mm

## Technical Data

### General specifications

|                            |                    |
|----------------------------|--------------------|
| Switching function         | Normally open (NO) |
| Output type                | Two-wire           |
| Rated operating distance   | $s_n$ 25 mm        |
| Installation               | non-flush          |
| Output polarity            | AC/DC              |
| Reduction factor $r_{Al}$  | 0.47               |
| Reduction factor $r_{Cu}$  | 0.44               |
| Reduction factor $r_{304}$ | 0.77               |
| Output type                | 3-wire             |

### Nominal ratings

|                             |       |                                 |
|-----------------------------|-------|---------------------------------|
| Operating voltage           | $U_B$ | 20 ... 250 V AC/20 ... 300 V DC |
| Switching frequency         | $f$   | 30 Hz                           |
| Hysteresis                  | $H$   | 3 ... 15 typ. 5 %               |
| Reverse polarity protection |       | reverse polarity tolerant       |
| Short-circuit protection    |       | yes                             |
| Voltage drop                | $U_d$ | $\leq 8$ V                      |
| Operating current           | $I_L$ | 4 ... 500 mA AC/DC              |
| Off-state current           | $I_r$ | $\leq 0.8$ mA                   |
| Operating voltage indicator |       | LED, green                      |
| Switching state indicator   |       | LED, yellow                     |

### Ambient conditions

|                     |                                |
|---------------------|--------------------------------|
| Ambient temperature | -25 ... 70 °C (-13 ... 158 °F) |
| Storage temperature | -40 ... 85 °C (-40 ... 185 °F) |

### Mechanical specifications

|                      |                              |
|----------------------|------------------------------|
| Connection type      | Connector 1/2"-20 UN , 3-pin |
| Housing material     | brass, nickel-plated         |
| Sensing face         | PBT                          |
| Degree of protection | IP67                         |

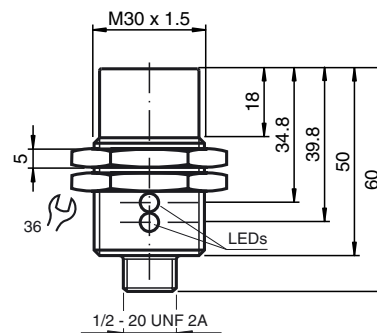
### Compliance with standards and directives

|                     |   |
|---------------------|---|
| Standard conformity |   |
| Standards           | EN 60947-5-2:2007<br>EN 60947-5-2/A1:2012<br>IEC 60947-5-2:2007<br>IEC 60947-5-2 AMD 1:2012 |

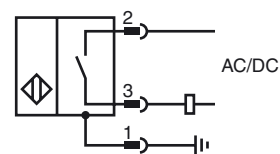
### Approvals and certificates

|              |   |
|--------------|---|
| UL approval  | cULus Listed, General Purpose                     |
| CSA approval | cCSAus Listed, General Purpose                    |
| CCC approval | Certified by China Compulsory Certification (CCC) |

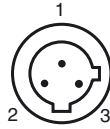
## Dimensions



## Electrical Connection



## Pinout



## Wire colors

|   |       |             |
|---|-------|-------------|
| 1 | GN    | (green)     |
| 2 | RD/BK | (red/black) |
| 3 | RD/WH | (red/white) |